

PRODUCT RANGE 2010 EDITION 2

SINKS
TAPS
ACCESSORIES

Contents

Sinks

Zen Range	3
Etro Range	18
Quad Range	26

Taps

Courbe	32
Fontaine	33
Pluie	34
Cascade	35
Ruscello	36
Curvato	37
Novanta	38
Versare	39
Spruzzo	40
Treforo	41
Grande	42
—	
Quick Reference guide	43
Warranty Information	45
Care & Cleaning	46

Welcome...

to The 1810 Company. We supply sinks, taps and accessories, and thats it!
We have a simple philosophy, which is to supply innovative and contemporary European design to those who appreciate superior quality and style.



INSUSOUND® - Our sinks are treated on the underside with a protective powder coating, which we call 'Insusound'. This will help retain the heat of the water in the bowl, and dramatically reduce noise when fitting a waste disposal unit. (Available on the Zen and Etro ranges only)



All our taps are supplied with a 'Neoperl Aerator' which provides a non splash, even, consistent creamy flow.

All our sinks are supplied with a full plumbing kit & if you order two individual bowls we will supply a joining pipe free of charge.

Here at The 1810 Company we like to keep things simple so you will notice in our model codes 'BBR' & 'BBL' this is an easy reference for you when ordering...

BBR - Big bowl right

BBL - Big bowl left

See... simple!

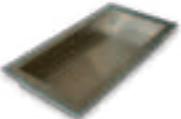
The Zen Range

The Zen Range is a contemporary linear design with striking square and rectangular bowls.

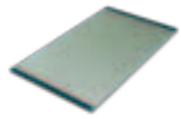


Accessories

Zen Colander
AC-ZEN-CS



Zen Chopping Board
AC-ZEN-GCB



Minimum cabinet size: 30cm
Image illustrates undermounted sink



Flushmounted sink illustrated above

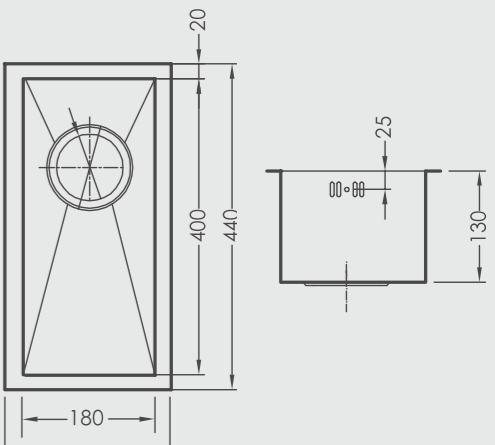


Pictured tap - Versare Chrome (VER/01/CH) page 39

1810 SINK Model
ZENUNO 180U


1810 Code
ZU/18/U/S/017

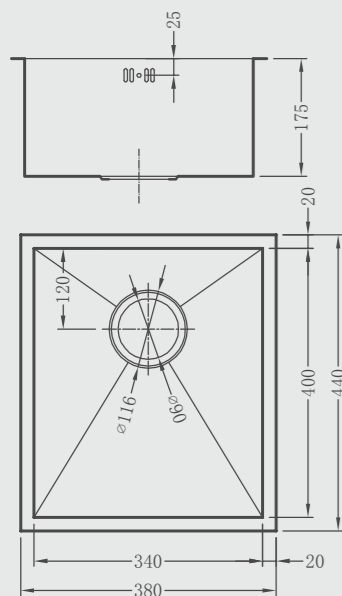
- Undermounted handmade bowl
Can also be flushmounted or inset
- Satin finish
- Insusound®
- 3½" basket strainer waste and plumbing kit
- Fixing kit
- Cut out template
- Individually boxed
- Steel thickness 1.2mm



1810 SINK Model
ZENUNO 340U

1810 Code
ZU/34/U/S/018

- Undermounted handmade bowl
Can also be flushmounted or inset
- Satin finish
- Insusound® 
- 3½" basket strainer waste and plumbing kit
- Fixing kit
- Cut out template
- Individually boxed
- Steel thickness 1.2mm



Accessories



Minimum cabinet size: 40cm
Image illustrates undermounted sink



Flushmounted sink illustrated above



Pictured tap - Treforo Chrome (TRE/01/CH) page 41



Accessories



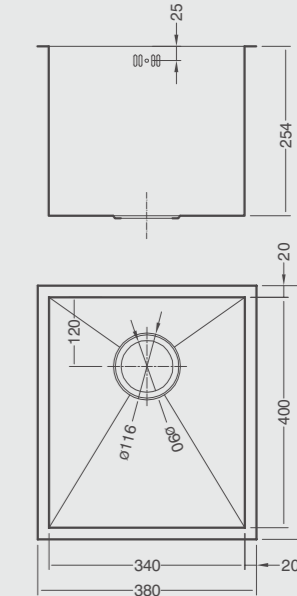
Minimum cabinet size: 40cm
Image illustrates flushmounted sink



Undermounted sink illustrated above




Pictured tap - Ruscello Chrome (RUS/01/CH) page 36




1810 SINK Model
ZENUNO 340U DEEP

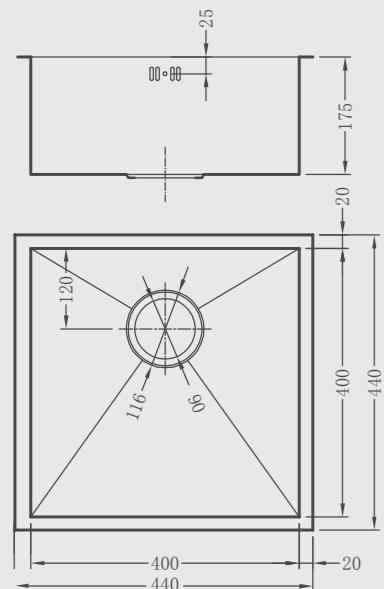
1810 Code
ZU/34/U/D/S/70

- Undermounted handmade bowl
Can also be flushmounted or inset
- Satin finish
- Insusound® 
- 3½" basket strainer waste and overflow
- Fixing kit
- Cut out template
- Individually boxed
- Steel thickness 1.2mm

1810 SINK Model
ZENUNO 400U

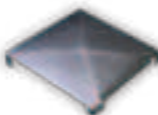
1810 Code
ZU/40/U/S/019

- Undermounted handmade bowl
Can also be flushmounted or inset
- Satin finish
- Insusound® 
- 3½" basket strainer waste and plumbing kit
- Fixing kit
- Cut out template
- Individually boxed
- Steel thickness 1.2mm

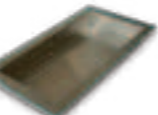


Accessories

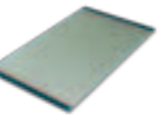
Zen 400 Tray
ZU-40-4-S-TRAY-072



Zen Colander
AC-ZEN-CS



Zen Chopping Board
AC-ZEN-GCB



Minimum cabinet size: 45cm
Image illustrates undermounted sink




Flushmounted sink illustrated above



Pictured tap - Courbe Chrome (COU/01/CH) page 32

1810 SINK Model
ZENUNO 400U DEEP

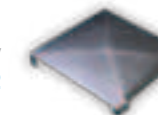
1810 Code
ZU/40/U/D/S/71

- Undermounted handmade bowl
Can also be flushmounted or inset
- Satin finish
- Insusound® 
- 3½" basket strainer waste and overflow
- Fixing kit
- Cut out template
- Individually boxed
- Steel thickness 1.2mm

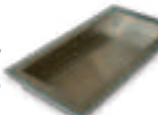


Accessories

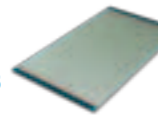
Zen 400 Tray
ZU-40-4-S-TRAY-072



Zen Colander
AC-ZEN-CS



Zen Chopping Board
AC-ZEN-GCB



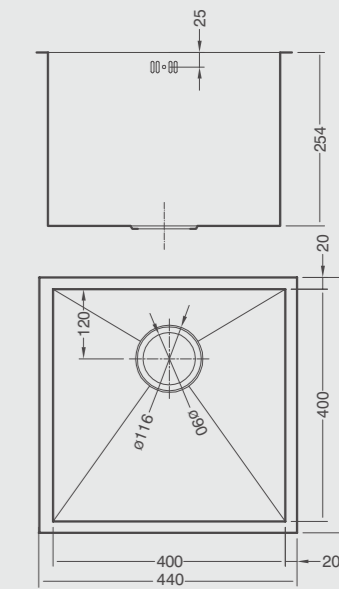
Minimum cabinet size: 45cm
Image illustrates undermounted sink



Flushmounted sink illustrated above




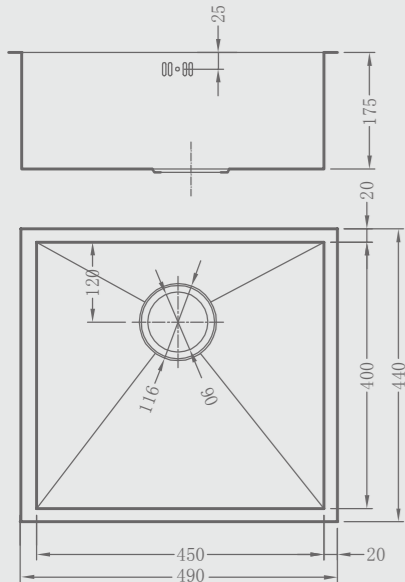
Pictured tap - Curvato Chrome (CUR/01/CH) page 37



**1810 SINK Model
ZENUNO 450U**

**1810 Code
ZU/45/U/S/020**

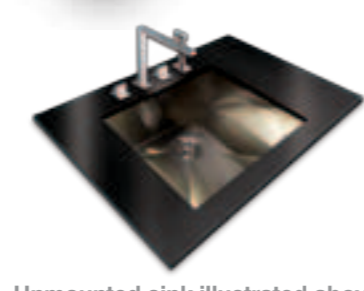
- Undermounted handmade bowl
Can also be flushmounted or inset
- Satin finish
- Insusound® 
- 3½" basket strainer waste and plumbing kit
- Fixing kit
- Cut out template
- Individually boxed
- Steel thickness 1.2mm



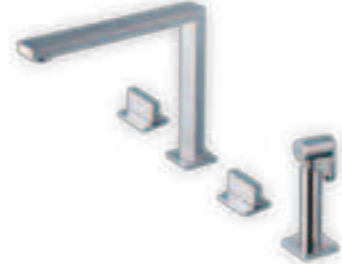
Accessories



Minimum cabinet size: 50cm
Image illustrates flushmounted sink




Unmounted sink illustrated above

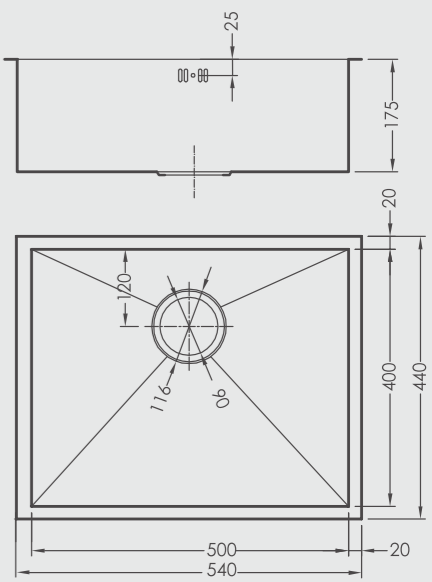


Pictured tap - Novanta Chrome (NOV/01/CH) page 38

**1810 SINK Model
ZENUNO 500U**

**1810 Code
ZU/50/U/S/021**

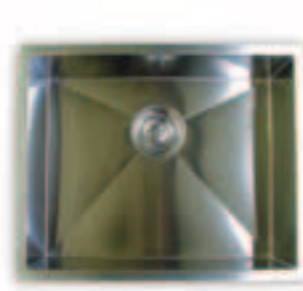
- Undermounted handmade bowl
Can also be flushmounted or inset
- Satin finish
- Insusound® 
- 3½" basket strainer waste and plumbing kit
- Fixing kit
- Cut out template
- Individually boxed
- Steel thickness 1.2mm



Accessories



Minimum cabinet size: 60cm
Image illustrates undermounted sink




Flushmounted sink illustrated above



Pictured tap - Courbe Chrome (COU/01/CH) page 32

**1810 SINK Model
ZENUNO 700U**

1810 Code
ZU/70/U/S/023

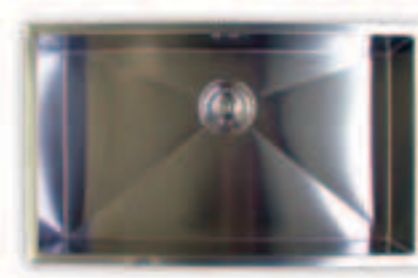
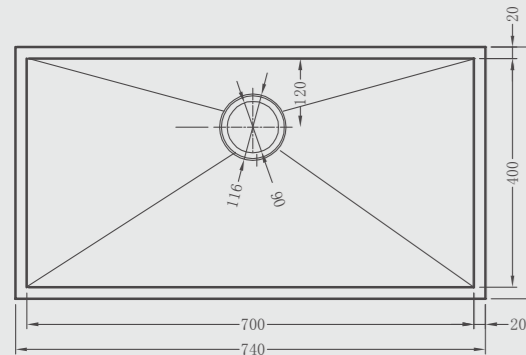
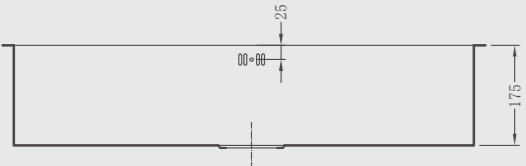
- Undermounted handmade bowl
Can also be flushmounted or inset
- Satin finish
- Insusound® 
- 3½" basket strainer waste and plumbing kit
- Fixing kit
- Cut out template
- Individually boxed
- Steel thickness 1.2mm



Accessories



Minimum cabinet size: 80cm
Image illustrates flushmounted sink




Undermounted sink illustrated above



Pictured tap - Grande Chrome (GRA/01/CH) page 42

**1810 SINK Model
ZENDUO 340/180U**

1810 Code
ZD/3418/U/S/022

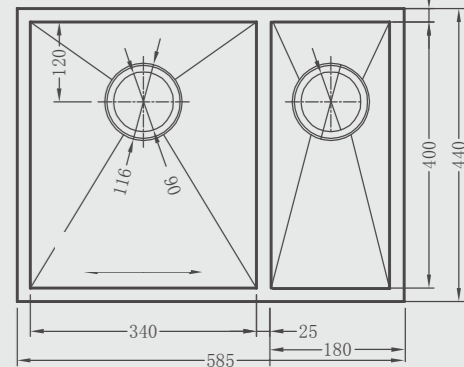
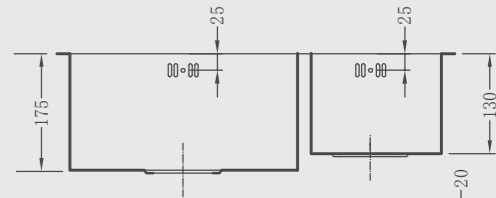
- Undermounted handmade bowls
Can also be flushmounted or inset
- Satin finish
- Insusound® 
- 3½" basket strainer waste and plumbing kit
- Fixing kit
- Cut out template
- Individually boxed
- Steel thickness 1.2mm



Accessories



Minimum cabinet size: 60cm
Image illustrates undermounted sink




Flushmounted sink illustrated above



Pictured tap - Cascade Chrome (CAS/01/CH) page 35

1810 SINK Model
ZENDUO 700/180U
Grande Deep

1810 Code
ZD/7018/U/D/S/072

- Undermounted handmade bowls
Can also be flushmounted or inset
- Inc fixing kit and cut out template
- Min Cabinet size 100cm
- Insusound 
- 3 1/2" basket strainer waste
and plumbing kit
- Individually boxed
- Steel thickness 1.2mm

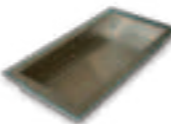
New Model
for 2010

The Largest undermount
currently available on the market*

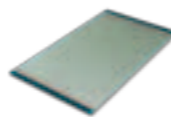


Accessories

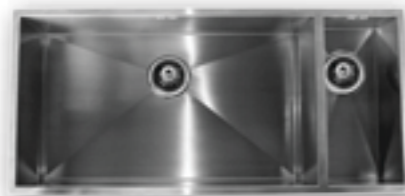
Zen Colander
AC-ZEN-CS



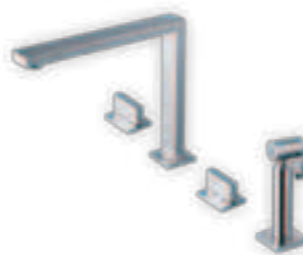
Zen Chopping Board
AC-ZEN-GCB



Minimum cabinet size: 100cm
Image illustrates flushmounted sink.
*At time of going to print




Flushmounted sink illustrated above



Pictured tap - Novanta Chrome (NOV/01/CH) page 38

1810 SINK Model
ZENDUO 400/400U

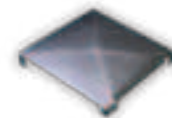
1810 Code
ZD/4040/U/S/025

- Undermounted handmade bowls
Can also be flushmounted or inset
- Satin finish
- Insusound 
- 3 1/2" basket strainer waste
and plumbing kit
- Fixing kit
- Cut out template
- Individually boxed
- Steel thickness 1.2mm

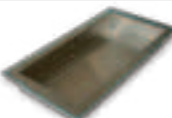


Accessories

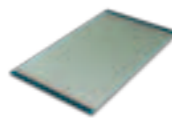
Zen 400 Tray
ZU-40-4-S-TRAY-072



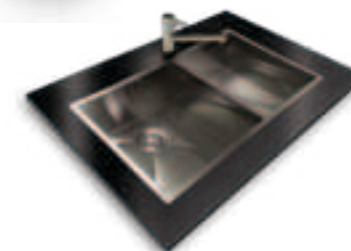
Zen Colander
AC-ZEN-CS



Zen Chopping Board
AC-ZEN-GCB



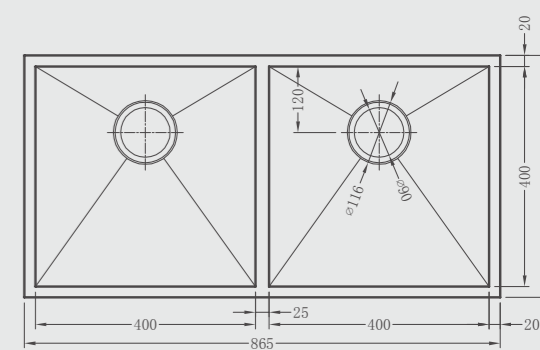
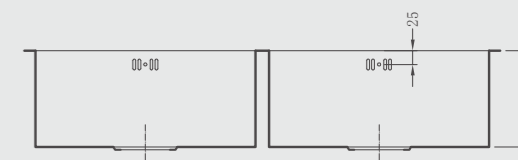
Minimum cabinet size: 90cm
Image illustrates undermounted sink



Flushmounted sink illustrated above




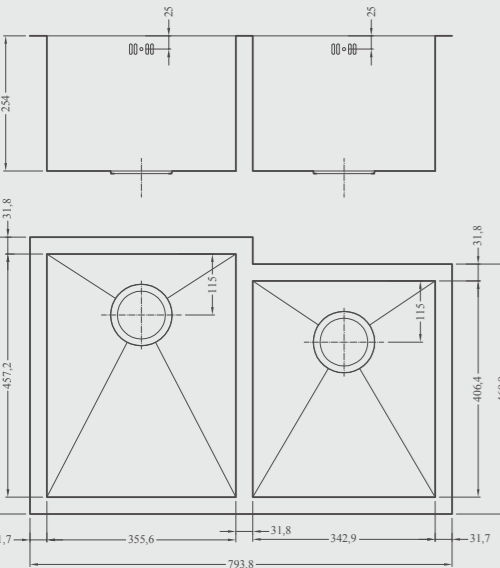
Pictured tap - Pluie Chrome (PLU/01/CH) page 34



1810 SINK Model
ZENDUO 356/343U BBL

1810 Code
ZD/3534/U/S/BBL/028

- Undermounted handmade bowls
Can also be flushmounted or inset
- Satin finish
- Insusound® 
- 3½" basket strainer waste and plumbing kit
- Fixing kit
- Cut out template
- Individually boxed
- Steel thickness 1.2mm



Accessories



Minimum cabinet size: 80cm
Image illustrates flushmounted sink




Undermounted sink illustrated above



Pictured tap - Cascade Chrome (CAS/01/CH) page 35

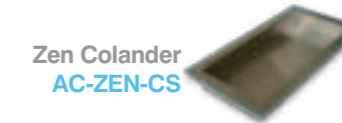
1810 SINK Model
ZENUNO 5I-F

1810 Code
ZU/5/IF/S/BBL/039
ZU/5/IF/S/BBR/026

- Overmounted handmade inset bowl
flush-fit rim
- Satin finish
- Insusound® 
- 3½" basket strainer waste and overflow
- Fixing kit
- Cut out template
- Individually boxed
- Steel thickness 1.2mm



Accessories



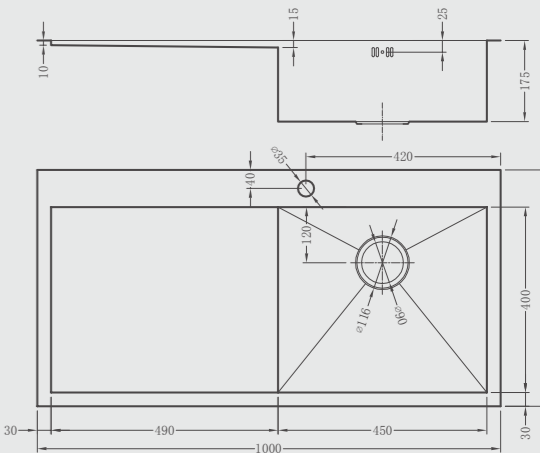
Minimum cabinet size: 50cm
Image illustrates flushmounted sink
Bowl available on left or right.



ZU/5/IF/S/BBR/026 Pictured above




Pictured tap - Courbe Chrome (COU/01/CH) page 32



**1810 SINK Model
ETROUNO 170U**

1810 Code
EU/17/U/MS/034

- Undermounted bowl
Can also be flushmounted or inset
- Matt satin finish
- Insusound® 
- 3½" basket strainer waste and overflow
- Fixing kit
- Cut out template
- Individually boxed
- Steel thickness 1.2mm



Minimum cabinet size: 30cm
Image illustrates undermounted sink




Flushmounted sink illustrated above



Pictured tap - Cascade Brushed Steel (CAS/02/BS) page 35

**1810 SINK Model
ETROUNO 340U**

1810 Code
EU/34/U/MS/035

- Undermounted bowl
Can also be flushmounted or inset
- Matt satin finish
- Insusound® 
- 3½" basket strainer waste and overflow
- Fixing kit
- Cut out template
- Individually boxed
- Steel thickness 1.2mm



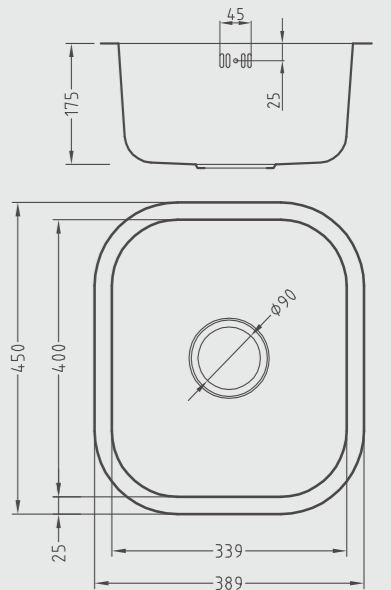
Minimum cabinet size: 40cm
Image illustrates flushmounted sink



Undermounted sink illustrated above




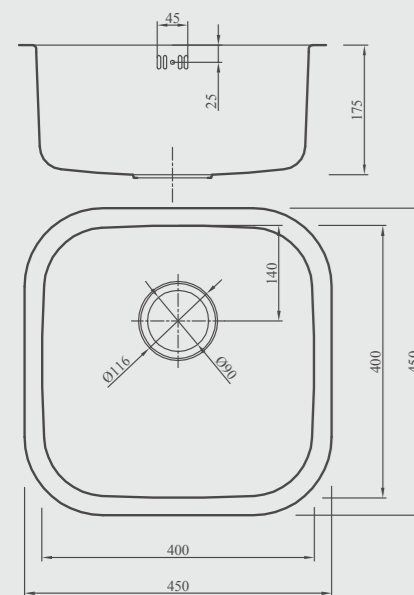
Pictured tap - Pluie Brushed Steel (PLU/02/BS) page 34



**1810 SINK Model
ETROUNO 400U**

1810 Code
EU/40/U/MS/036

- Undermounted bowl
Can also be flushmounted or inset
- Matt satin finish
- Insusound® 
- 3½" basket strainer waste and overflow
- Fixing kit
- Cut out template
- Individually boxed
- Steel thickness 1.2mm



Minimum cabinet size: 45cm
Image illustrates undermounted sink



Flushmounted sink illustrated above



Pictured tap - Courbe Brushed Steel (COU/02/BS) page 32



Minimum cabinet size: 60cm
Image illustrates undermounted sink




Flushmounted sink illustrated above

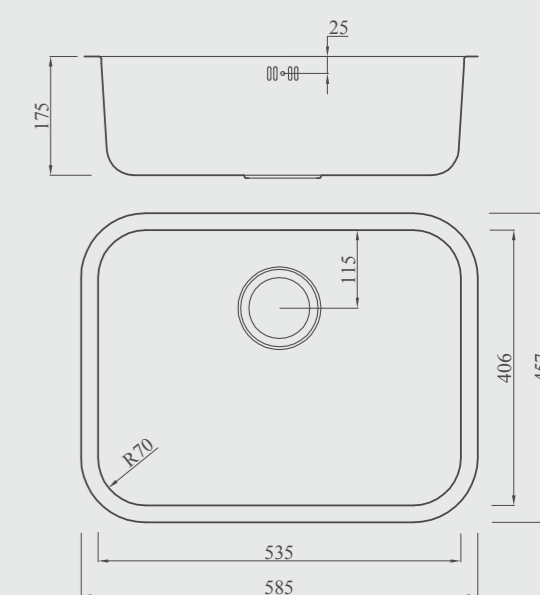


Pictured tap - Fontaine Brushed Steel (FON/02/BS) page 33

**1810 SINK Model
ETROUNO 550U**


1810 Code
EU/55/U/MS/037

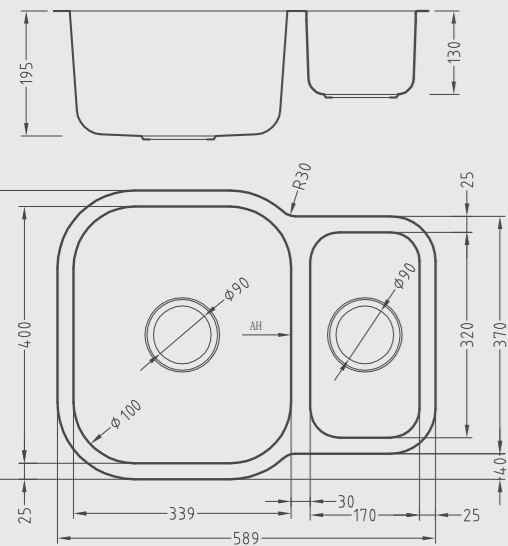
- Undermounted bowl
Can also be flushmounted or inset
- Matt satin finish
- Insusound® 
- 3½" basket strainer waste and overflow
- Fixing kit
- Cut out template
- Individually boxed
- Steel thickness 1.2mm



1810 SINK Model
ETRODUO/589/450U REV

1810 Code
ED/5845/U/MS REV/031

- Undermounted bowls
Can also be flushmounted or inset
- Matt satin finish
- Insusound® 
- 3½" basket strainer waste and overflow
- Fixing kit
- Cut out template
- Individually boxed
- Steel thickness 1.2mm



Minimum cabinet size: 60cm
Image illustrates flushmounted sink




Undermounted sink illustrated above

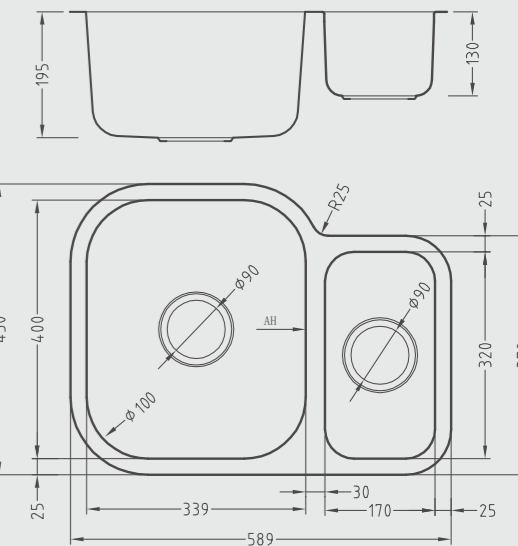


Pictured tap - Grande Brushed Steel (GRA/02/BS) page 42

1810 SINK Model
ETRODUO 589/450U BBL

1810 Code
ED/5845/U/MS BBL/032

- Undermounted bowl
Can also be flushmounted or inset
- Matt satin finish
- Insusound® 
- 3½" basket strainer waste and overflow
- Fixing kit
- Cut out template
- Individually boxed
- Steel thickness 1.2mm



Minimum cabinet size: 60cm
Image illustrates undermounted sink




Flushmounted sink illustrated above

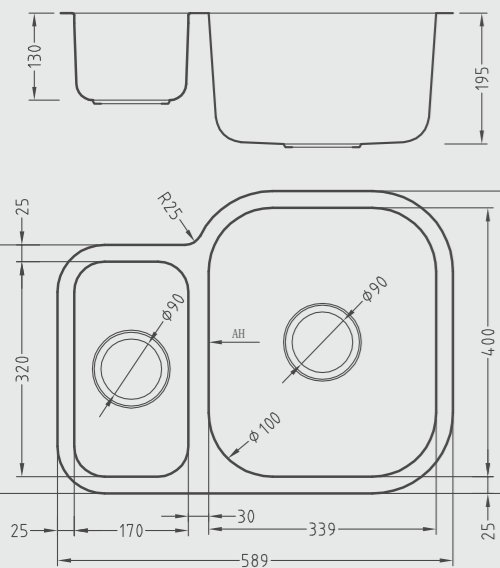


Pictured tap - Cascade Brushed Steel (CAS/02/BS) page 35

1810 SINK Model
ETRODUO/589/450U BBR

1810 Code
ED/5845/U/MS BBR/033

- Undermounted bowls
 Can also be flushmounted or inset
- Matt satin finish
- Insusound® 
- 3½" basket strainer waste and overflow
- Fixing kit
- Cut out template
- Individually boxed
- Steel thickness 1.2mm



Minimum cabinet size: 60cm
 Image illustrates flushmounted sink



Undermounted sink illustrated above



Pictured tap - Courbe Brushed Steel (COU/02/BS) page 32



The Quad Range

The Quad Range is a modern design with curved inset bowls & drainer.

1810 SINK Model
QUADUNO 780 I

1810 Code
QU/78/I/MS/REV/040

- Inset bowl and drainer
- Polished finish
- 3½" basket strainer waste plumbing kit
- Fixing kit
- Individually boxed
- Two piece construction with welded bowl for extra depth
- Steel thickness 1mm

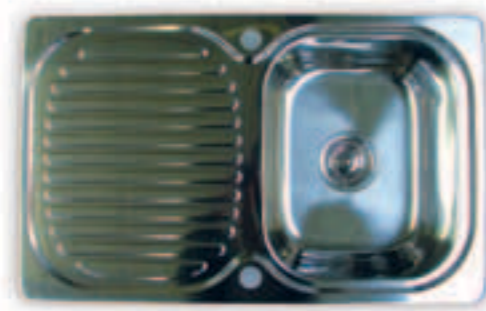
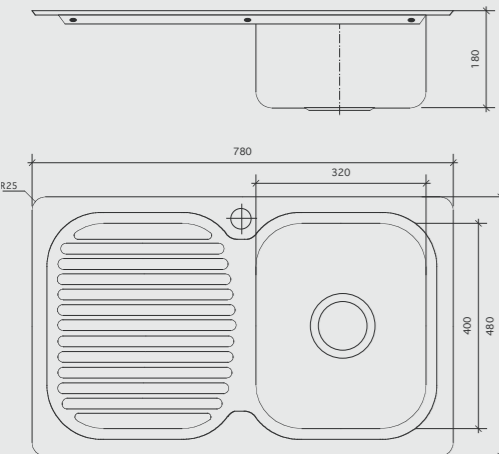


Accessories

Quad Steel Basket
AC-QUA-SWB



Minimum cabinet size: 45cm
Image illustrates inset sink



Pictured tap - Grande Brushed Steel (GRA/02/BS) page 42

1810 SINK Model
QUADDUO 1000 I

1810 Code
QD/100/I/MS/REV/041

- Inset bowls and drainer
- Polished finish
- 3½" basket strainer waste plumbing kit
- Fixing kit
- Individually boxed
- Two piece construction with welded bowl for extra depth
- Steel thickness 1mm



Accessories

Quad Colander
AC-QUA-CS



Quad Steel Basket
AC-QUA-SWB



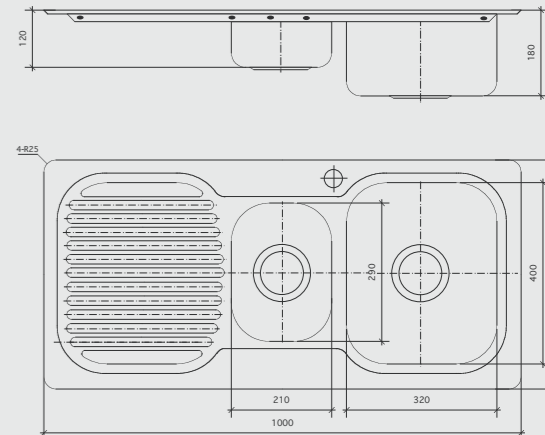
Minimum cabinet size: 60cm
Image illustrates inset sink



UNIQUE eliminates drainer flexing and holding of water



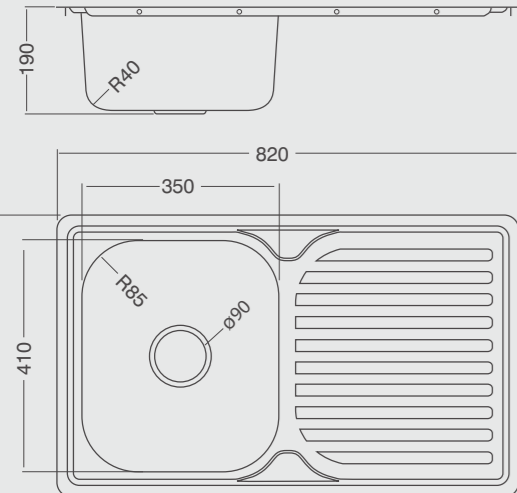
Pictured tap - Grande Brushed Steel (GRA/02/BS) page 42



1810 SINK Model
QUADUNO 820 IS

1810 Code
QU/82/I/S/REV/050

- Inset bowl and drainers
- Satin finish
- 3½" basket strainer waste plumbing kit
- Fixing kit
- Individually boxed
- Two piece construction with welded bowls for extra depth
- Steel thickness 1mm



Accessories

Quad Steel Basket
AC-QUA-SWB



Minimum cabinet size: 45cm
Image illustrates inset sink

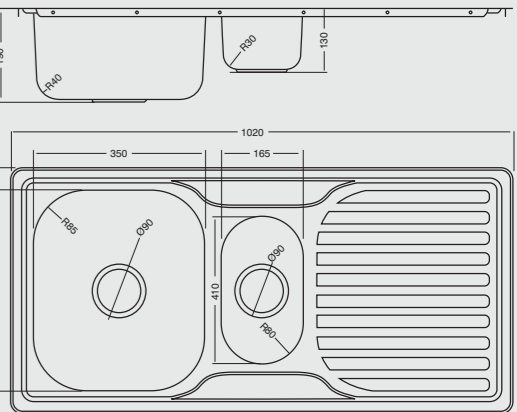


Pictured tap - Courbe Brushed Steel (COU/02/BS) page 32

1810 SINK Model
QUADDUO 1020 IS

1810 Code
QD/102/I/S/REV/051

- Inset bowls and drainer
- Satin finish
- 3½" basket strainer waste plumbing kit
- Fixing kit
- Individually boxed
- Two piece construction with welded bowl for extra depth
- Steel thickness 1mm



Accessories

Quad Colander
AC-QUA-CS-102



Quad 1020 Steel Basket
AC-QUA-SWB-102.82



Minimum cabinet size: 60cm
Image illustrates inset sink



UNIQUE eliminates drainer flexing and holding of water



Pictured tap - Grande Brushed Steel (GRA/02/BS) page 42

1810 Taps

1810 Taps come in a variety of contemporary and classic designs, all come with a Neoperl Aerator which provide a non splash creamy flow.



NEOPERL
AERATOR

1810 TAP Model
Courbe Curved Spout

1810 Code
COU/01/CH
Finished in chrome

1810 Code
COU/02/BS
Finished in brushed steel

Includes Neoperl Aerator
and 3/8" flexible tails

Min operating pressure - 0.5 bar

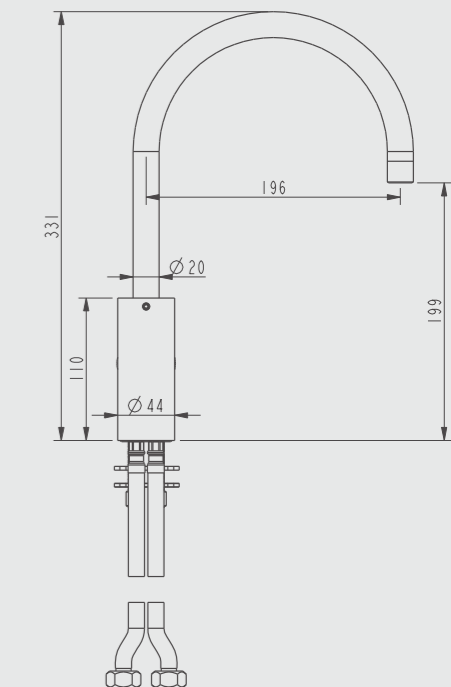


Image shown
COU/02/BS



Also available
COU/01/CH



COU/01/CH
shown with
ZU/40/U/S/019



1810 TAP Model
Fontaine Single Lever

1810 Code
FON/01/CH
Finished in chrome

1810 Code
FON/02/BS
Finished in brushed steel

Includes Neoperl Aerator
and 3/8" flexible tails

Min operating pressure - 0.5 bar



NEOPERL
AERATOR



Image shown
FON/01/CH



Also available
FON/02/BS



FON/01/CH
shown with
EU/55/U/MS/037



NEOPERL
AERATOR



1810 TAP Model
Pluie Angled Spout

1810 Code
PLU/01/CH
Finished in chrome

1810 Code
PLU/02/BS
Finished in brushed steel

Includes Neoperl Aerator
and 3/8" flexible tails

Min operating pressure - 0.5 bar

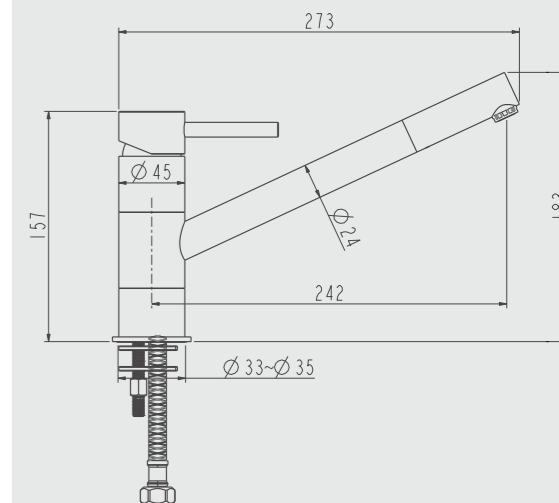
Image shown
PLU/02/BS



Also available
PLU/01/CH



PLU/02/BS
shown with
EU/34/U/MS/035



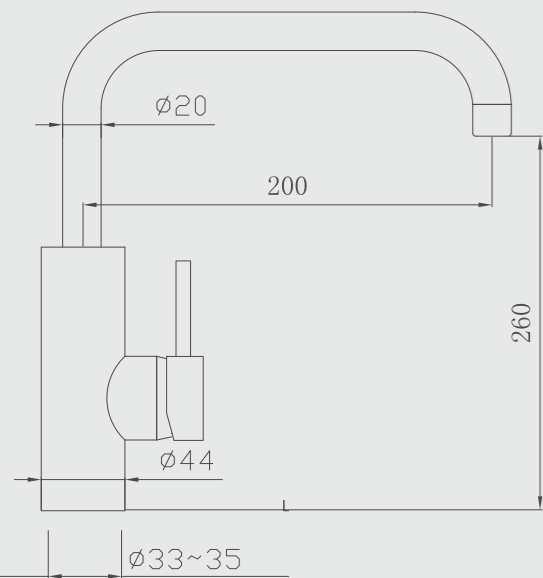
1810 TAP Model
Cascade Square Spout

1810 Code
CAS/01/CH
Finished in chrome

1810 Code
CAS/02/BS
Finished in brushed steel

Includes Neoperl Aerator
and 3/8" flexible tails

Min operating pressure - 0.5 bar



NEOPERL
AERATOR

Image shown
CAS/01/CH



Also available
CAS/02/BS



CAS/02/BS
shown with
ED/5845/U/MS BBL/032



2
YEAR GUARANTEE



NEOPERL
AERATOR

Image shown
RUS/01/CH



Also available
RUS/02/BS



RUS/02/BS
shown with
ZU/34/U/D/S/70



2
YEAR GUARANTEE

1810 TAP Model
**Ruscello
Square Body, Slim Lever**

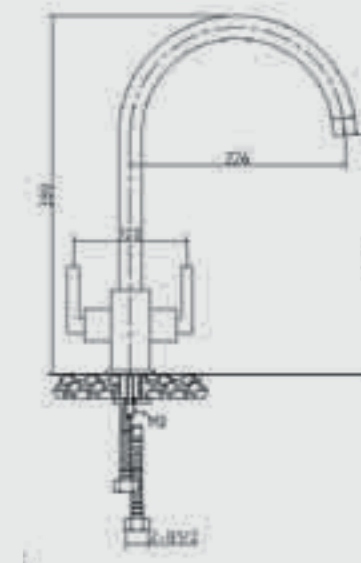
1810 Code
RUS/01/CH
Finished in chrome

1810 Code
RUS/02/BS
Finished in brushed steel

Includes Neoperl Aerator
and 1/2" flexible tails

Min operating pressure - 0.5 bar

Recommended operating
pressure - 1 bar



1810 TAP Model
Curvato
 Slim Lever, Curved Spout

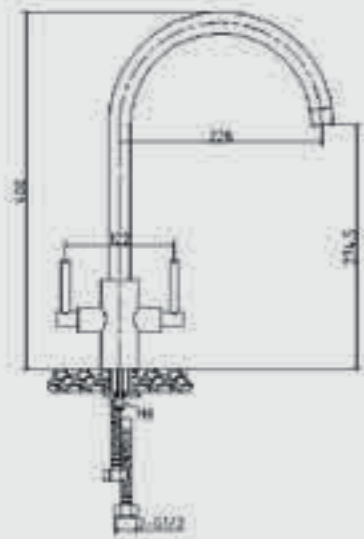
1810 Code
CUR/01/CH
 Finished in chrome

1810 Code
CUR/02/BS
 Finished in brushed steel

Includes Neoperl Aerator
 and 1/2" flexible tails

Min operating pressure - 0.5 bar

Recommended operating
 pressure - 1 bar



NEOPERL
 AERATOR

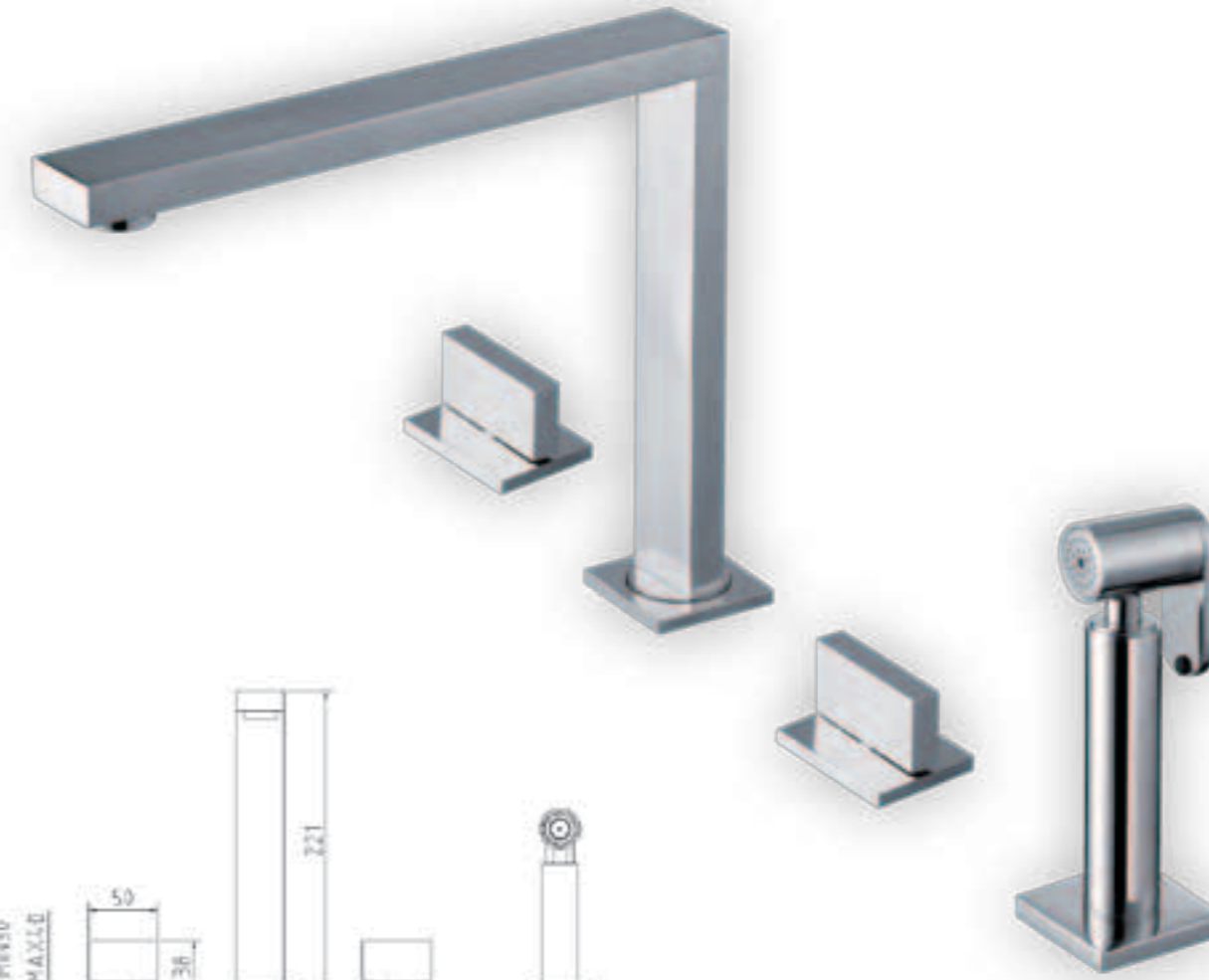
Image shown
CUR/01/CH



Also available
CUR/02/BS

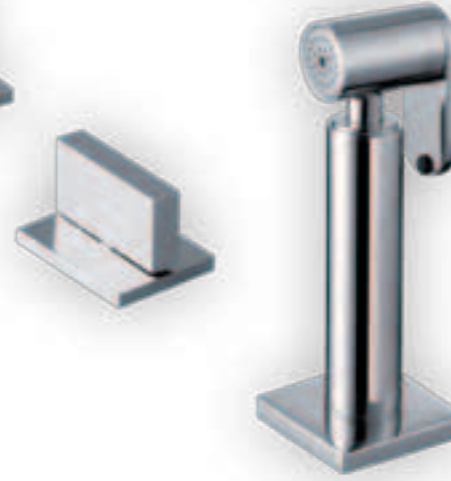
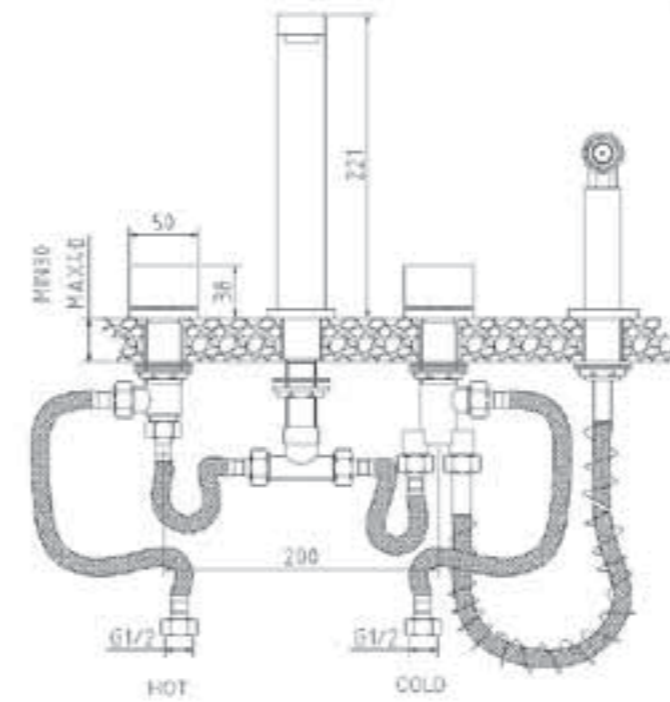


CUR/02/BS
 shown with
ZU/40/U/D/S/71

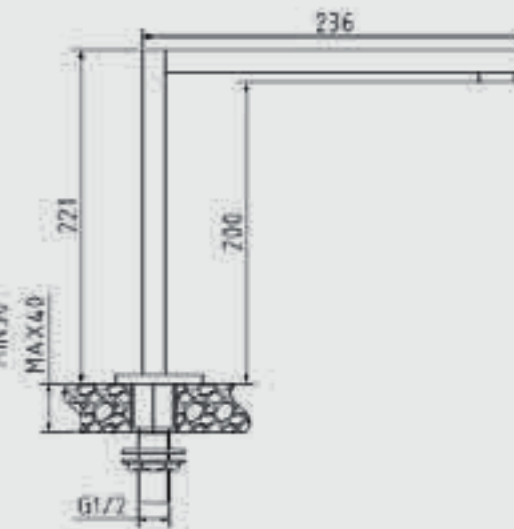


NEOPERL
 AERATOR

Image shown
NOV/01/CH



Also available
NOV/02/BS



1810 TAP Model
Novanta 4 Hole Design

1810 Code
NOV/01/CH
 Finished in chrome

1810 Code
NOV/02/BS
 Finished in brushed steel

Includes Neoperl Aerator
 and 1/2" flexible tails

Min operating pressure - 0.5 bar

Recommended operating
 pressure - 1 bar

1810 TAP Model
Versare Square Design

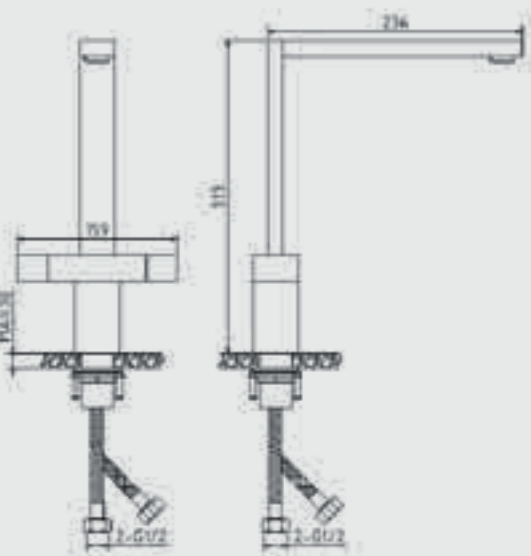
1810 Code
VER/01/CH
Finished in chrome

1810 Code
VER/02/BS
Finished in brushed steel

Includes Neoperl Aerator
and 1/2" flexible tails

Min operating pressure - 0.5 bar

Recommended operating
pressure - 1 bar

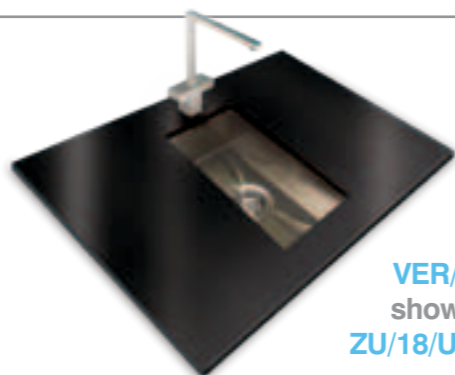


NEOPERL
AERATOR

Image shown
VER/01/CH



Also available
VER/02/BS



VER/01/CH
shown with
ZU/18/U/S/017



NEOPERL
AERATOR

Image shown
SPR/01/CH



Also available
SPR/02/BS



1810 TAP Model
Spruzzo
Cold Rinse Hand Spray

1810 Code
SPR/01/CH
Finished in chrome

1810 Code
SPR/02/BS
Finished in brushed steel

Includes Neoperl Aerator
and 1/2" flexible tails

Includes pressure regulating valve

Min operating pressure - 0.5 bar

Recommended operating
pressure - 1 bar

1810 TAP Model
Treforo
3 Hole Curved Spout

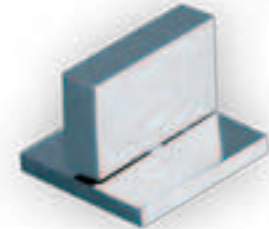
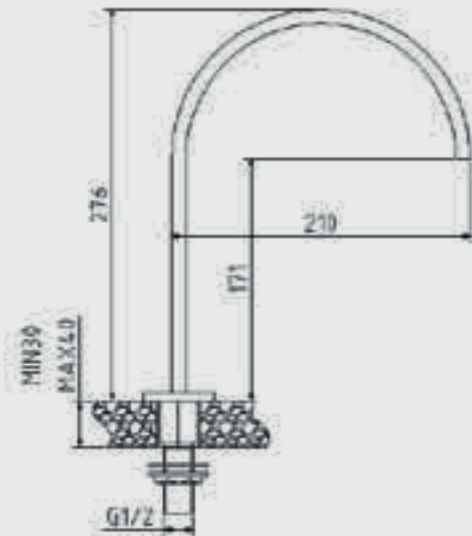
1810 Code
TRE/01/CH
 Finished in chrome

1810 Code
TRE/02/BS
 Finished in brushed steel

Includes Neoperl Aerator
 and 1/2" flexible tails

Min operating pressure - 0.5 bar

Recommended operating
 pressure - 1 bar



Also available
TRE/02/BS

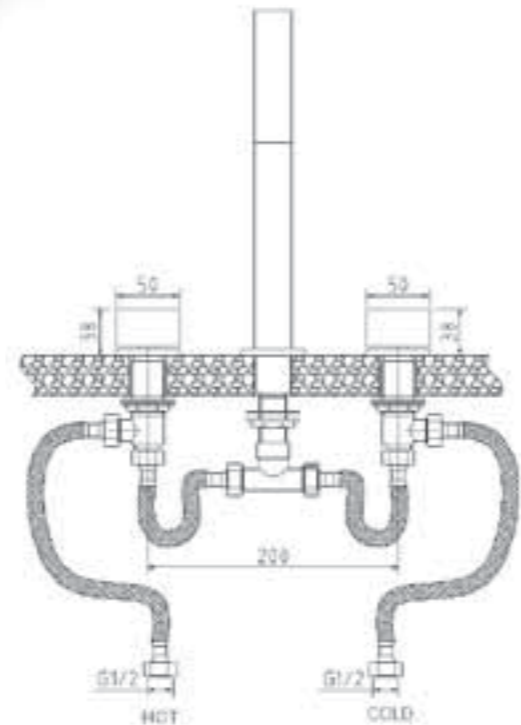


Image shown
TRE/01/CH



NEOPERL
 AERATOR



NEOPERL
 AERATOR



Also available
GRA/02/BS



GRA/01/CH
 shown with
ZU/70/U/S/023



Image shown
GRA/01/CH

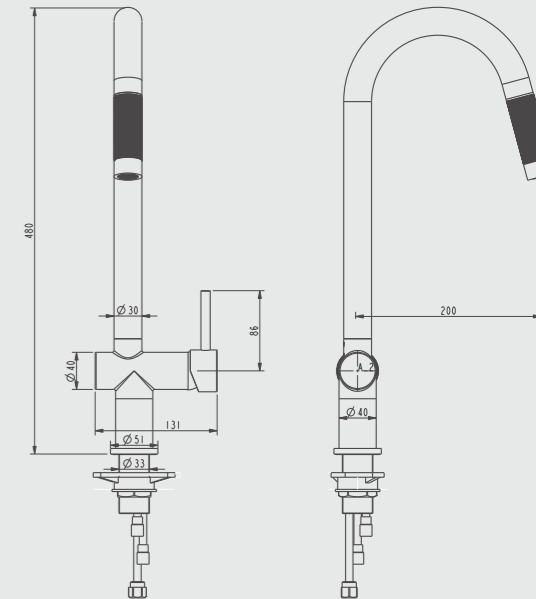
1810 TAP Model
Grande Pull Out Spray

1810 Code
GRA/01/CH
 Finished in chrome






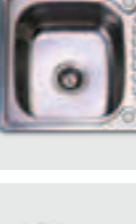



















1810 Code
GRA/02/BS
 Finished in brushed steel

Includes Neoperl Aerator
 and 3/8" flexible tails

Min operating pressure - 0.5 bar



 ZENUNO 180U ZU/18/U/S/017 p4	 ZENUNO 340U ZU/34/U/S/018 p5	 ZENUNO 340U DEEP ZU/34/U/D/S/70 p6	 ZENUNO 400U ZU/40/U/S/019 p7	 ZENUNO 400U DEEP ZU/40/U/D/S/71 p8
 ZENUNO 450U ZU/45/U/S/020 p9	 ZENUNO 500U ZU/50/U/S/021 p10	 ZENUNO 700U ZU/70/U/S/023 p11	 ZENUNO 340/180U ZD/3418/U/S/022 p12	 ZENUNO 700/180U ZD/7018/U/D/S/072 p13
 ZENUNO 400/400 U ZD/4040/U/S/025 p14	 ZENUNO 356/343 U BBL ZD/3534/U/S/BBL/028 p15	 ZENUNO 5I-F ZU/5/IF/S/BBR/026 p16	 ZENUNO 5I-F ZU/5/IF/S/BBL/039 p16	 ZENUNO 6I-F ZD/6/IF/S/BBR/027 p17
 ZENUNO 6I-F ZD/6/IF/S/BBL/038 p17	 ETROUND 170U EU/17/U/MS/034 p19	 ETROUND 340U EU/34/U/MS/035 p20	 ETROUND 400U EU/40/U/MS/036 p21	 ETROUND 550U EU/55/U/MS/037 p22

 ETRODUO 589/450U REV ED/5845/U/MS REV/031 p23	 ETRODUO 589/450U BBL ED/5845/U/MS BBL/032 p24	 ETRODUO 589/450U BBR ED/5845/U/MS BBR/033 p25	 QUADUNO 780 I QU/78/I/MS/REV/040 p27	 QUADDUO 1000 I QD/100/I/MS/REV/041 p28
 QUADUNO 820 IS QU/82/I/S/REV/050 p29	 QUADDUO 1020 IS QD/102/I/S/REV/051 p30	 Courbe Curved Spout Chrome COU/01/CH Brushed Steel COU/02/BS p32	 Fontaine Single Lever Chrome FON/01/CH Brushed Steel FON/02/BS p33	 Pluie Angled Spout Chrome PLU/01/CH Brushed Steel PLU/02/BS p34
 Cascade Square Spout Chrome CAS/01/CH Brushed Steel CAS/02/BS p35	 Ruscello Square body slim lever Chrome RUS/01/CH Brushed Steel RUS/02/BS p36	 Curvato Slim lever curved spout Chrome CUR/01/CH Brushed Steel CUR/02/BS p37	 Novanta 4 Hole design Chrome NOV/01/CH Brushed Steel NOV/02/BS p38	 Versare Square design Chrome VER/01/CH Brushed Steel VER/02/BS p39
 Spruzzo Cold rinse hand spray Chrome SPR/01/CH Brushed Steel SPR/02/BS p40	 Treforo 3 Hole curved spout Chrome TRE/01/CH Brushed Steel TRE/02/BS p41	 Grande Pull out spray Chrome GRA/01/CH Brushed Steel GRA/02/BS p42	 QUAD COLANDER AC-QUA-CS p43	 QUAD 1020 IS COLANDER AC-QUA-CS-102 p44
 QUAD STEEL BASKET AC-QUA-SWB p45	 QUAD 1020 STEEL BASKET AC-QUA-SWB-102.82 p46	 ZEN CHOPPING BOARD AC-ZEN-GCB p47	 ZEN COLANDER AC-ZEN-CS p48	 ZENUNO 400 TRAY ZU-40-4-S-TRAY-072 p49

Care & Cleaning

General care of The 1810 Company stainless steel sink and tap

Sink

Discolouration and most marks on stainless steel are caused by water-borne deposits clinging to its surface. They are always the result of an outside source rather than coming from the steel itself. Such stains are often seen as a “rainbow-effect” and can be avoided completely by removing wet cleaning aids (cloths, containers etc.) from the sink after use so as to avoid watermarking and rust stains.

One of the best ways to care for the sink is to clean it with a product called ‘ShinySinks’ (available from most major supermarkets) which can be used daily. It is helpful to dry the sink thoroughly after cleaning.

Avoid:

- (a) the use of plastic bowls for washing up, as these cause heavy localised scratching;
- (b) leaving salt, vinegar, citric fruit juices, mustard or pickles on the surface for any length of time as they can cause corrosion;
- (c) abrasive cleaners such as bleach, scourers or wire woolpads.

Tap

Care needs to be taken not to damage the tap finish – cleaning should be gentle with a rinsed soft mild soapy cloth only. If limescale is a problem around the nozzle then gentle use of a small brush with some lemon juice will help alleviate the problem –taking care to rinse away any remaining lemon juice from the tap.

Scratching – stainless steel

The surface scratches which appear on stainless steel sinks rarely have any appreciable depth and will become less noticeable with age. A stainless steel sink will develop a patina with time and will look better a year after installation than during the first few months of use due to the fact that the scratching will have evened out. All sinks manufactured in stainless steel perform in exactly the same way in this respect be they manufactured by The 1810 Company or a competitor. We recommend the use of ‘ShinySinks’ which when used regularly will assist in maintaining your sink.

We would point out that the use of a plastic washing up bowl will over time cause the development of regular abrasion marks over the sink’s surface. Inox Cream – for use on stainless steel to be used after ‘ShinySinks’. To use the Inox Cream, apply with a damp cloth (like a J-Cloth) using circular motions, allow to dry (to a white powder), then buff off with kitchen roll. The Inox Cream forms a waterproof layer on your sink, which helps the water drain off easier.

Rust Spots – stainless steel

The 1810 Company are extremely stringent in the quality and standards required from the steel suppliers. The material used is high quality stainless steel which is metallurgically incapable of rusting or corroding in normal household conditions.

It can, however, harbour ferrous particles from the water supply and these often occur with newer installations when the pipework is disturbed, or from ‘wire’ scouring pads or utensils. These filings get deposited and cling to the sink surface and unless removed will rust.

In this instance we would recommend that the sink is cleaned thoroughly using a product called ‘Bar Keepers Friend’. This should be sprinkled onto the sink and scrubbed into a paste with a stiff nylon nailbrush (NB simply using a nylon washing up brush is not sufficient as the product needs to be worked into the ‘valleys’ of the texture of the sink), which should be left on the sink for at least thirty minutes before thoroughly rinsing off.

We would point out that unless the particles are completely removed they will return. It is therefore very important that after cleaning the sink, it is dried thoroughly. This process needs to continue at least daily for a period of 7 to 10 days until the problem disappears. The problem is sometimes particularly obstinate to remove and it may take several attempts to restore the sink to its pristine condition. We would also recommend that a product such as ‘ShinySinks’ is used following each application of ‘Bar Keepers Friend’. For information, ‘Bar Keepers Friend’ is available at Sainsburys, John Lewis, Lakeland, Waitrose, larger branches of Tesco and general hardware stores.

E-Cloth™ – for use on stainless steel

The 1810 Company recommend The E-Cloth™ for use on our stainless steel sinks. The E-Cloth™ contains no chemicals, but millions of fibres which literally wipe away all dirt, including grease, using just water. The E-Cloth™ is available from John Lewis stores, House of Fraser, Selfridges, Comet and Currys. Also available by mail order from The 1810 Company. Contact us on t. +44 (0) 1978 660 770 f. +44 (0) 1978 660 771 e. sales@the1810company.co.uk

Guarantee Information

The 1810 Company sinks are guaranteed for 75 years against manufacturing defect. The 1810 Company taps are guaranteed against defective materials and workmanship for 2 years in relation to coatings and finishes, and 2 years in relation to moving parts. The 1810 Company will replace (and where appropriate repair) defective sinks. In relation to taps, The 1810 Company will, where appropriate, provide replacement parts for your taps or replace your taps. Any associated or ancillary costs to be incurred by you as a result of replacement of The 1810 Company sinks and taps under this guarantee shall in all cases be previously approved by The 1810 Company UK Limited. This guarantee is in addition to and does not affect your statutory rights.

Product Name:

‘Bar Keepers Friend’ Professional Formula Powder Cleaner.

INGREDIENTS: Blend of mineral Surfactant, Oxalic Acid, Inert Mineral Filler, Citric Acid Monohydrate, Thickening Agent, Fragrance.

Product Name:

‘ShinySinks’ Cream Cleaner (Professional).

INGREDIENTS: Water based blend of Mineral Surfactant, Citric Acid Monohydrate, Inert Filler, Thickening Agent, Fragrance and Preservatives.

Product Name:

Inox Cream.

INGREDIENTS: Water based emulsion (water content76%), contains citric acid (4%) In case of eye contact rinse thoroughly with water. Avoid prolonged contact with skin, wash off with soap and water.

Warranty Information

The 1810 Company products feature the highest degree of technology, quality and design. As a result, we are proud to offer the following warranty.

Sinks

The 1810 Company warrants its sinks to be free of manufacturing defects in material and workmanship under normal residential usage for 75 years.

Taps

All taps installed in a private residence carry a 2 year warranty on all mechanical parts to be free of manufacturing defects in material and workmanship under normal usage. All finishes carry a 2 year warranty.

General

In the event of a warranty claim, the owner will be required to provide proof of purchase, a sales receipt. This warranty covers all components which make the product operational. The 1810 Company, at its option, may repair or replace the product or components necessary to restore the product to good working condition. The 1810 Company reserves the right to inspect the installation prior to the actual replacement of the product or component part.

This warranty does not cover misuse or abuse, accidental damages, scuffs or scratches, improper installation, abnormal usage, negligence or damage caused by improper maintenance or cleaning. Normal wear of parts is excluded from the warranty. Damage caused by impurities or acts beyond our control are not covered. Any product or part which has been repaired or altered in any manner outside of The 1810 Company’s factory, unless previously authorised in writing by The 1810 Company, will void warranty. Any replacement excludes transportation and any labour re-installation costs.

www.the1810company.co.uk

call +44 (0) 1978 660 770

Product Range 2010/Edition 3.0

The 1810 Company

BK House Ash Road South
Wrexham Ind Est Wrexham LL13 9UG

t. +44 (0) 1978 660 770
f. +44 (0) 1978 660 771

e. sales@the1810company.co.uk
w. www.the1810company.co.uk

